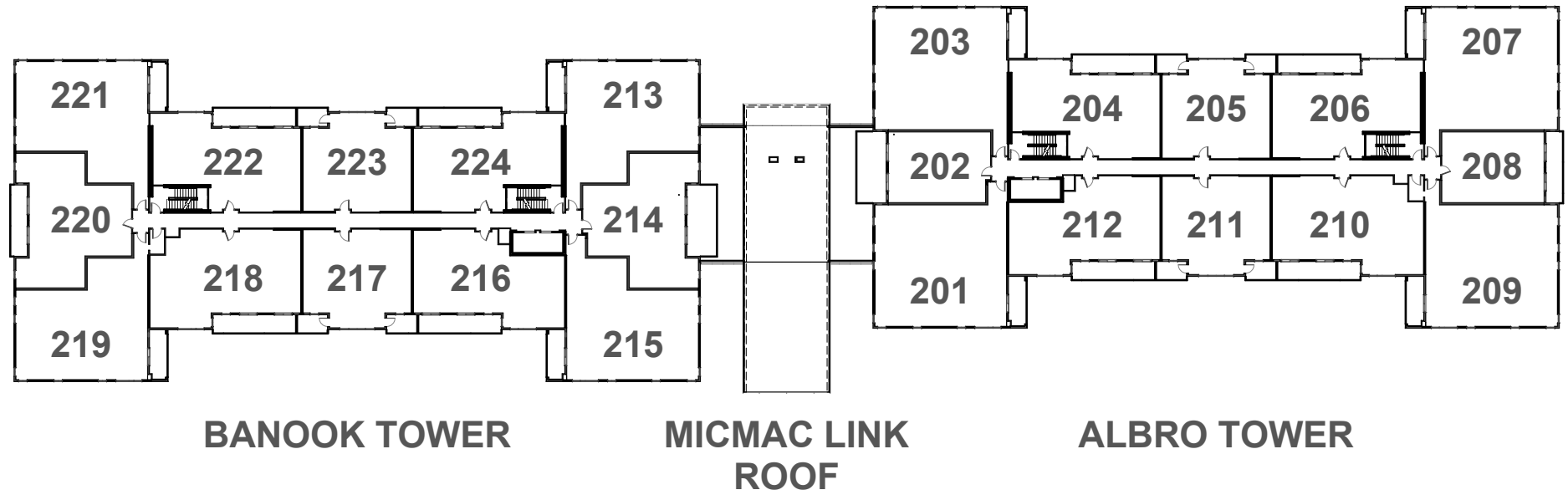


# Key Plans - 2nd Floor



5 Horizon Court  
Dartmouth, NS  
B3A 0C4



tel | 902.407.7007  
fax | 902.407.7008

info@avonhurstgardens.com  
avonhurstgardens.com

professionally managed by:

